

Product of the U.S.A. US and foreign patents issued and pending.

Warning: Read all package insert warnings, precautions, and instructions prior to use. Failure to do so may result in severe patient injury or death.  
Risk only. Fluid path of needle and extension set is sterile, non-pyrogenic, non-DEHP and not made with natural rubber latex.



Manufactured for:  
Teleflex Medical  
IDB Business & Technology Park,  
Dublin Rd, Athlone,  
Co. Westmeath, Ireland  
ArrowEZIO.com  
Ph: 1.866.479.8500

REF 9079P

ARROW® EZ-IO®  
INTRAOSSUEOUS VASCULAR ACCESS  
45 mm 15 ga  
40 kg or over

# ARROW® EZ-IO®

INTRAOSSUEOUS VASCULAR ACCESS

## Needle + Stabilizer Kit

**GERMAN**  
BESCHREIBUNG:  
EZ-IO® INTRAOSSEÄRES  
GEFÄSSZUGANGSSYSTEM  
Der Flüssigkeitspfad des Nadelsets und  
der Anschlussleitung ist steril, nicht  
pyrogen sowie DEHP- und naturlatexfrei.

**DUTCH**  
BESCHRIJVING:  
EZ-IO® INTRAOSSEALE  
VAATTOEGANG  
Vloeistofpad van naald en verlengset  
is steriel, pyrogeenvrij, bevat geen  
DEHP en is niet vervaardigd met  
natuurrubberlatex.

**FRENCH**  
DESCRIPTION:  
ACCÈS VASCULAIRE  
INTRA-OSSEUX EZ-IO®  
Le circuit du liquide de l'aiguille et de  
l'extension est stérile, non pyrogène et  
exempt de DEHP et n'est pas fabriqué à  
partir de latex de caoutchouc naturel.

**ITALIAN**  
DESCRIZIONE:  
ACCESSO VASCOLARE  
INTRAOSSEO EZ-IO®  
Il percorso di fluido dell'ago e del set di  
prolunga è sterile, non pirogeno, non  
contiene DEHP e non è stato realizzato  
con lattice di gomma naturale.  
8775B Rev 01 (2021-08)

**RUSSIAN**  
ОПИСАНИЕ:  
ВНУТРИКОСТНЫЙ СОСУДИСТЫЙ  
ДОСТУП EZ-IO®  
Канал для жидкости иглы и удлинителя  
является стерильным, апиrogenным, не  
содержит ДЭГФ и натуральный латекс.

**GREEK**  
ΠΕΡΙΓΡΑΦΗ:  
ΕΝΔΟΣΤΙΚΗ ΑΓΓΕΙΑΚΗ  
ΠΡΟΣΠΕΛΑΣΗ EZ-IO®  
Η διαδρομή υγρού της βελόνας  
και του σετ επέκτασης είναι  
ασπυρογονική, μη πυρογονός,  
χωρίς DEHP και δεν κατασκευάζεται  
με λάτεξ από φυσικό καουτσούκ.

**PORTUGUESE**  
DESCRIÇÃO:  
ACCESSO VASCULAR INTRA-ÓSSEO  
EZ-IO®  
O circuito do fluido da agulha e o  
conjunto de extensão são esterilizados,  
apirogénicos, sem DEHP, e não  
fabricados em látex de borracha natural.

**SPANISH**  
DESCRIPCIÓN:  
ACCESO VASCULAR  
INTRAÓSEO EZ-IO®  
La vía de fluido del set de aguja y del  
set prolongador es una vía estéril, no  
pirogénica, que no contiene DEHP y  
que no está fabricada en látex de  
caucho natural EZ-IO®.

45 mm 15 ga  
40 kg or over

# ARROW® EZ-IO®

INTRAOSSUEOUS VASCULAR ACCESS

## Needle + Stabilizer Kit

REF 9079P

CONTENTS	QTY
EZ-IO® 45 mm 15 ga Intraosseous Needle Set	5
EZ-Stabilizer™ Dressing	5
EZ-Connect® Extension Set (Priming Volume - Approx. 1.0 ml)	5
EZ-IO® Wristband	5
NeedleWISE® 1-Port Sharps Block	5
Instructions for Use	1

NSN: 6515-01-646-9750

ArrowEZIO.com

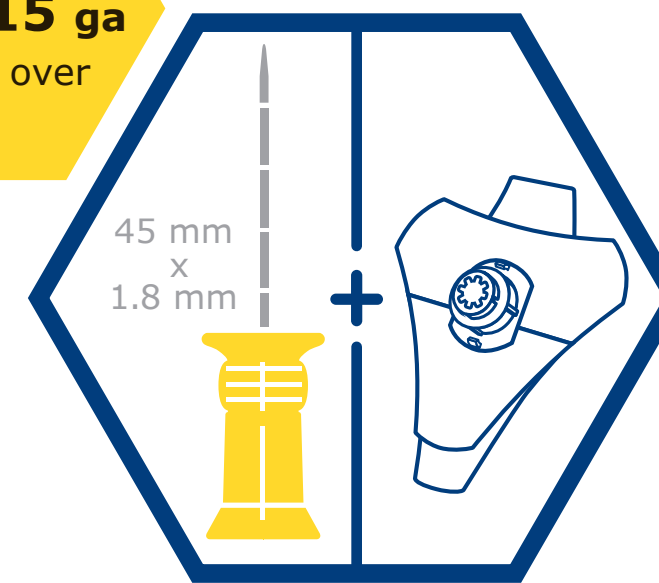
# ARROW® EZ-IO®

INTRAOSSUEOUS VASCULAR ACCESS

## Needle + Stabilizer Kit

REF 9079P

45 mm 15 ga  
40 kg or over



45 mm 15 ga  
40 kg or over

# ARROW® EZ-IO®

INTRAOSSUEOUS VASCULAR ACCESS

## Needle + Stabilizer Kit

REF 9079P

NIC

Teleflex®

Teleflex®

Teleflex®